

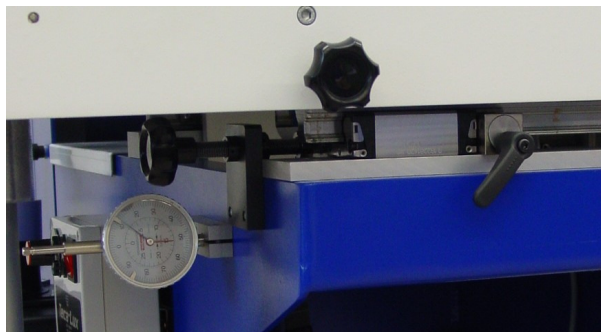


VR-TFC SHIFTING UNIT for TFC 085 or TFC 114 with AT 770 for easy adjustment of the printing position

The VR-TFC shifting unit offers an easy-to-use adjustment device for the printing positions for all multi-colour images made with the 85mm and 114mm index step Transfert Carrés in combination with the AT 770 receiver table.

Cliché adjustments are not necessary when using the VR-TFC shifting unit.

The VR-TFC shifting unit is mounted between the Transfert Carré and the AT-770 receiver table.

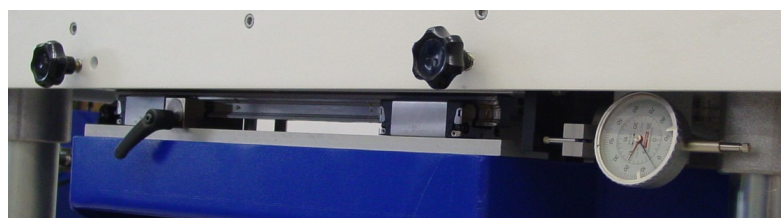


Adjustment is possible in the x-axis as well as of the rotational axis.

With the aid of a clamp lever on the front side of the Carré and star-shaped knob mounted on the side, the x-axis adjustment is carried out. The maximum displacement is +/- 10 mm from the middle. The dial gauge indicates the displacement amount.

The VR-TFC shifting unit allows for rotational axis adjustments as well. The maximum rotation of +/- 2° is made around the center point of the Transfert Carré.

The rotation is carried out by two star-shaped knobs on the front side of the Transfert Carré. One star-shaped knob creates the rotation, while the other locks the adjustment into position. The displacement is shown on the dial gauge.

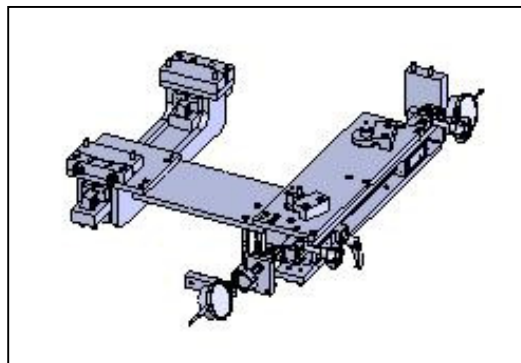


Ample adjustment capability is provided by these two adjustment mechanisms, so much so that adjustments to the cliché plate can be eliminated.

The VR-TFC shifting unit can be used in configurations utilizing a Tranfert Carré with index steps of 85,725 or 114,3 mm as peripheral device in combination with the AT-770 receiver table.

A retro-fit assembly is also an available option. We recommend making the modification at Teca-Print. The modification can also be made on-site at the customer's facility if skilled, mechanically competent personnel exist. When retro-fitting, rework is required with respect to drilling and reinforcement brackets.

The VR-TFC shifting unit is available under the part number 701 913 310.



The most important data of the VR-TFC shifting unit at a glance:

VR-TFC application area:	applications with the Transfert Carrés: TFC 085 or TFC 114 and receiver table AT 770
Part number:	701 913 310
Adjustment capabilities:	x-axis: displacement of +/- 10 mm Rotational axis: Rotation of +/- 2° around the TFC center point
Dimensions:	750 x 485 x 110 mm
Weight:	approx. 12 kg
Retro-fit assembly:	possible (at Teca-Print or with skilled, mechanical competence) Rework is required.