



Practical and Innovative:

INK POT HOLDER WITH BAYONET LOCK

The new ink pot holder with a bayonet locking mechanism is excellently suitable for the quick and easy clamping of ink pots in almost all Teca-Print pad printing machines using the sealed inking system.

The principle:

The pot holder with bayonet lock consists of three parts: Pot screw, bayonet bushing and holder with bayonet insertion. The pot screw is screwed into the bayonet bushing, both parts together can be assembled into the bayonet insert of the pot holder.

With the first use of the pot holder, the operator turns the pot screw until the necessary pressure is reached. After this first pot insertion, the release and clamping of the ink pot is done quickly and easily using the bayonet locking mechanism.

To remove the ink pot, only the bayonet locking mechanism is released and the pot screw is taken off completely with bayonet bushing. Correspondingly, the ink pot can be easily clamped again: Insert pot screw with bayonet bush into the pot holder and lock it.



Pot holder with bayonet lock complete

Advantages of the new pot holder with bayonet locking mechanism:

- Quick clamping and release of the ink pot
- Shorter changeover times
- Constant pressure: By the one-time adjustment, the pressure is always the same – completely independent from the machine's operator. In this way, influences to the printing results as a result of the operator are avoided.
- Easy, practical use:
Also, for the insertion of the bayonet lock, very little effort is necessary. Our tip: Please do not press with your fingertips on the pot screw with bayonet bushing to clamp it into the pot holder. Please always press with the flat heel of the hand. In this way, you give pressure to the screw with a minimum effort and can insert the bayonet lock easily



Pot screw with bayonet bushing

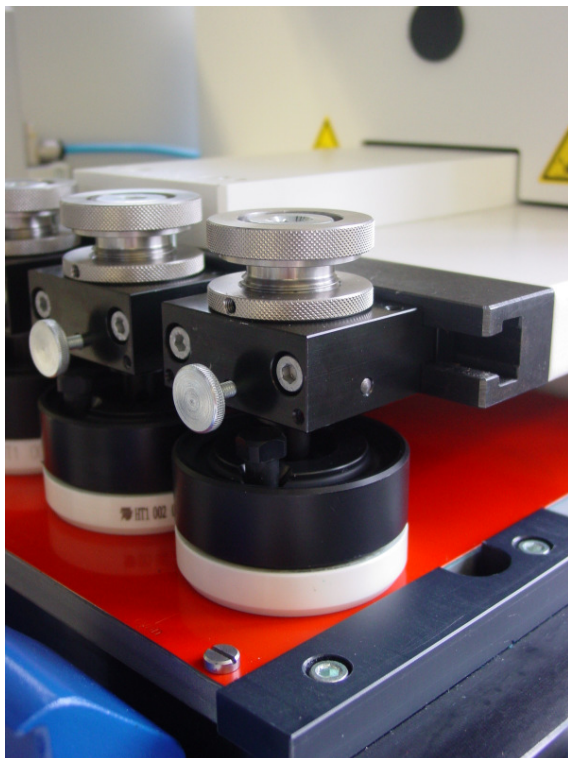
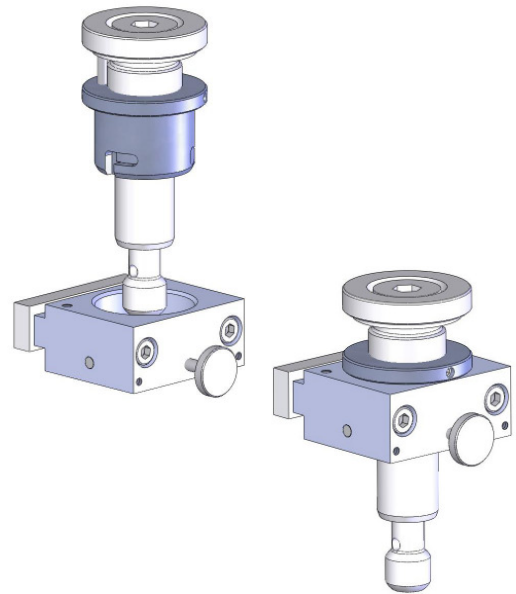
The pot holder with bayonet locking mechanism is suitable to be used at all Teca-Print pad printing machines working with the sealed inking system, except for the TPA 61, which will continue to use the pot holder with pot screw.

If you would like to modify your existing pad printing machine and to use the new pot holder with bayonet lock, please contact our sales team. For most machines, a change-over is possible without any problems. At the TPE 151, a retrofit change-over is unfortunately not possible. We will be pleased to advise you.

At pad printing machines with TI 300 thinner injection, the hose holder set has to be changed too, if the existing pot holder with screw will be replaced by the new pot holder.

Due to its compact construction with a width of generally 50 mm, the new pot holder with bayonet locking is suitable for all ink pot sizes: Narrow enough for small ink pots with Ø 56 mm, but also strong enough to guide the larger sized ink pots with Ø 195 mm optimally. The new pot holder is suitable also for oval ink pots.

Alternatively to the pot holder with the bayonet locking mechanism, the system with the rotating pot system is available as usual.



Pad printing machine with pot holder with bayonet lock

Article numbers pot holder with bayonet lock:

Article number	Description
701 925 073	Pot holder with bayonet lock complete, length pot screw = 72 mm
701 925 075	Pot holder with bayonet lock complete, length pot screw = 96 mm

Please contact our sales team for any further questions or information.

Information can be found also online at www.teca-print.com.

Teca-Print

Teca-Print AG

Tel. +41 (0)52 645 2000

Tel. +41 (0)52 FON TECA

Postfach

Fax +41 (0)52 645 2101

Bohlstrasse 17

info@teca-print.com

CH-8240 Thayngen

teca-print.com